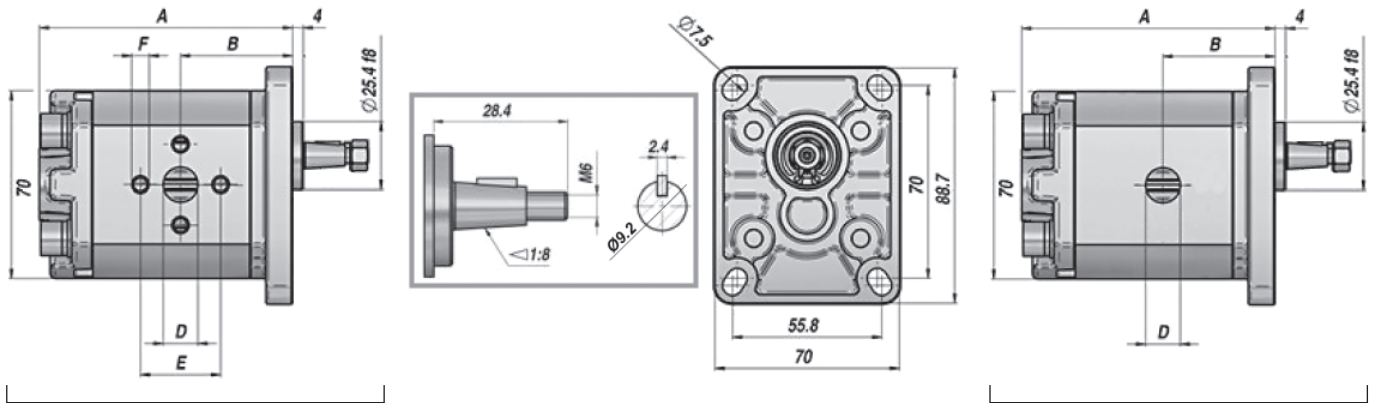




POMPE A INGRANAGGI GR.1



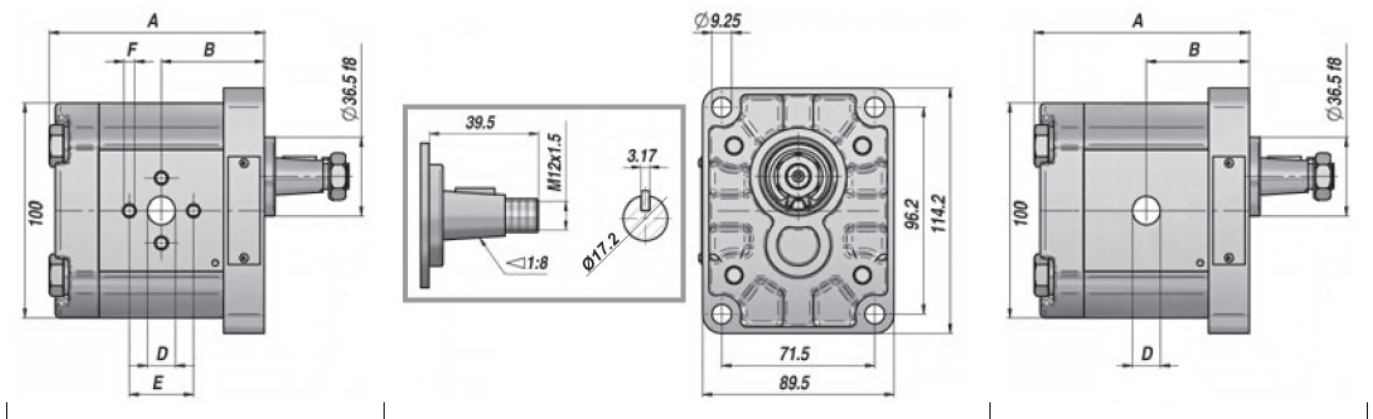
PS1-A Corpo per flange

PS1-B Corpo filettato

POMPA AD INGRANAGGI GR.1 TIPO PS1-A - STANDARD EUROPA - ALBERO CONICO 1:8

cm ³ /giro	Press. Max		Giri/min.		A	B	Corpo x flange				Corpo filettato			€
	P1	P3	max	min			IN D	OUT D	Codice (rot. sinistra)	Codice (rot. destra)	IN D (GAS)	OUT D (GAS)	Codice (rot. destra)	
0,89	240	290	6000	600	73,60	34,80	26	26	PS1-A0.9S	PS1-A0.9D				190,80
1,18	240	290	6000	600	74,70	35,35	26	26	PS1-A1.2S	PS1-A1.2D				190,80
1,60	240	290	6000	400	76,40	36,20	26	26	PS1-A1.6S	PS1-A1.6D				190,80
2,00	220	270	5500	400	77,90	36,95	26	26	PS1-A2.0S	PS1-A2.0D				190,80
2,50	220	270	5000	400	79,90	37,95	30	30	PS1-A2.5S	PS1-A2.5D	1/2"	3/8"	PS1-B2.5D	190,80
3,20	210	260	4500	400	82,60	39,30	30	30	PS1-A3.2S	PS1-A3.2D				190,80
3,70	210	260	4000	400	84,60	40,30	30	30	PS1-A3.7S	PS1-A3.7D	1/2"	3/8"	PS1-B3.7D	190,80
4,20	190	230	3500	400	86,50	41,25	30	30	PS1-A4.2S	PS1-A4.2D	1/2"	3/8"	PS1-B4.2D	190,80
5,00	180	230	3000	400	89,60	42,80	30	30	PS1-A5.0S	PS1-A5.0D	1/2"	3/8"	PS1-B5.0D	190,80
6,30	170	210	2700	400	94,70	45,35	30	30	PS1-A6.3S	PS1-A6.3D	1/2"	3/8"	PS1-B6.3D	190,80
7,76	170	210	2500	400	100,40	48,20	30	30	PS1-A7.8S	PS1-A7.8D				190,80
9,78	150	190	2000	400	108,30	52,15	30	30	PS1-A9.8S	PS1-A9.8D				190,80

POMPE A INGRANAGGI GR.2



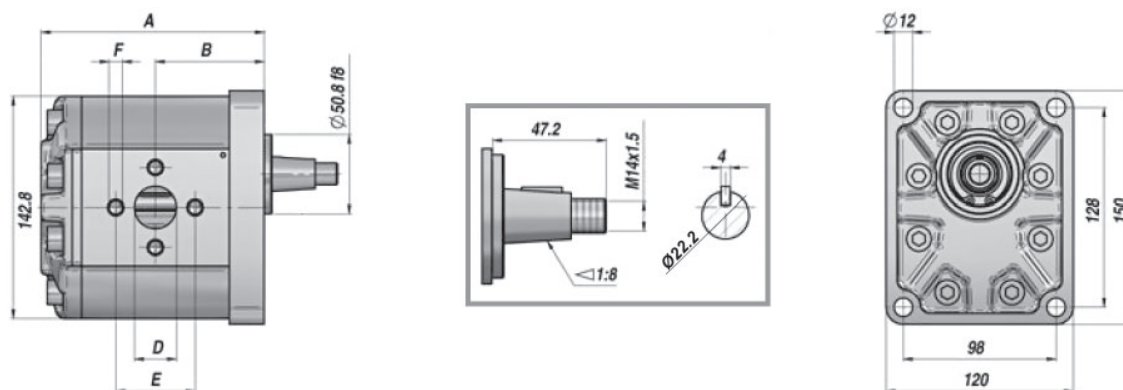
PS2-A Corpo per flange

PS2-B Corpo filettato

POMPA AD INGRANAGGI GR. 2 TIPO PS2-A - STANDARD EUROPA - ALBERO CONICO 1:8

cm ³ /giro	Press. Max		Giri/min.		A	B	Corpo x flange				Corpo filettato			€	
	P1	P3	max	min			IN D	OUT D	Codice (rot. sinistra)	Codice (rot. destra)	IN D (GAS)	OUT D (GAS)	Codice (rot. sinistra)		Codice (rot. destra)
4,00	250	290	4000	500	93,00	44,40	30	30	PS2-A4.0S	PS2-A4.0D	1/2"	1/2"	PS2-B4.0S	PS2-B4.0D	286,20
6,00	250	290	4000	500	96,30	46,00	30	30	PS2-A6.0S	PS2-A6.0D	1/2"	1/2"	PS2-B6.0S	PS2-B6.0D	286,20
8,50	250	290	3500	500	100,50	48,10	30	30	PS2-A8.5S	PS2-A8.5D	1/2"	1/2"	PS2-B8.5S	PS2-B8.5D	286,20
11,00	250	290	3500	500	104,60	50,20	40	30	PS2-A11.0S	PS2-A11.0D	3/4"	1/2"	PS2-B11.0S	PS2-B11.0D	286,20
14,00	250	290	3500	500	109,60	52,70	40	30	PS2-A14.0S	PS2-A14.0D	3/4"	1/2"	PS2-B14.0S	PS2-B14.0D	286,20
16,50	230	250	3500	500	113,80	54,80	40	30	PS2-A16.5S	PS2-A16.5D	3/4"	1/2"	PS2-B16.5S	PS2-B16.5D	286,20
19,50	210	230	3300	500	118,80	57,30	40	30	PS2-A19.5S	PS2-A19.5D	3/4"	1/2"	PS2-B19.5S	PS2-B19.5D	286,20
22,50	190	210	2800	500	123,80	59,80	40	30	PS2-A22.5S	PS2-A22.5D	3/4"	1/2"	PS2-B22.5S	PS2-B22.5D	286,20
26,00	170	190	2500	500	129,60	62,70	40	30	PS2-A26.0S	PS2-A26.0D	3/4"	1/2"	PS2-B26.0S	PS2-B26.0D	286,20

POMPE A INGRANAGGI GR.3

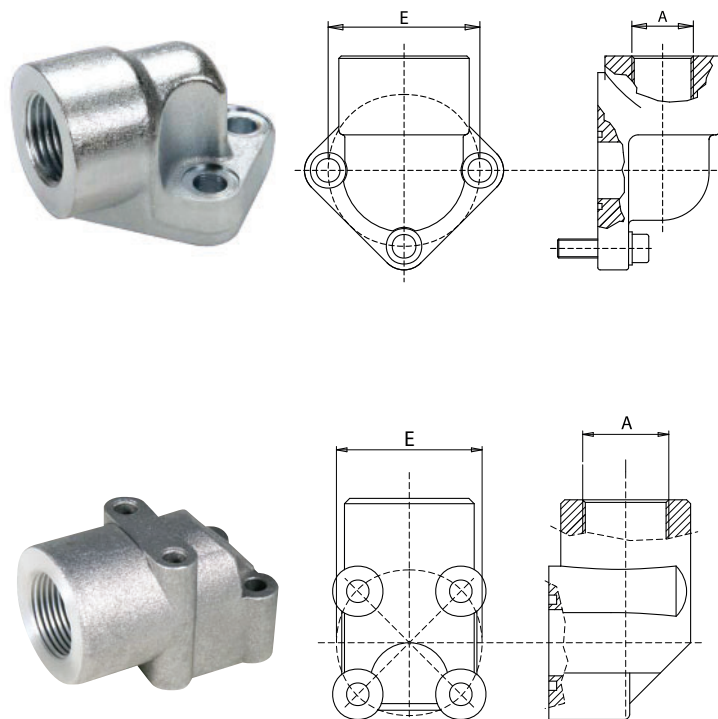

POMPA AD INGRANAGGI GR.3 TIPO PS3-A - STANDARD EUROPA - ALBERO CONICO 1:8

cm3/giro	Press. Max		Giri/min.		A	B	Corpo x flange				€
	P1	P3	max	min			IN D	OUT D	Codice (rot. sinistra)	Codice (rot. destra)	
19,00	250	300	3500	700	128,30	62,40	51	40	PS3-A19.0S	PS3-A19.0D	629,60
22,30	240	290	3500	700	131,30	63,90	51	40	PS3-A22.3S	PS3-A22.3D	629,60
29,30	220	260	3300	700	137,30	66,90	51	40	PS3-A29.3S	PS3-A29.3D	629,60
32,90	220	260	3300	700	140,30	68,40	51	40	PS3-A32.9S	PS3-A32.9D	629,60
36,40	210	250	3300	700	143,30	69,90	51	40	PS3-A36.4S	PS3-A36.4D	629,60
43,50	200	240	3000	700	149,30	72,90	51	40	PS3-A43.5S	PS3-A43.5D	629,60
51,70	200	240	3000	700	156,30	76,40	51	40	PS3-A51.7S	PS3-A51.7D	629,60
61,10	180	200	2500	700	164,30	80,40	51	40	PS3-A61.1S	PS3-A61.1D	629,60



Su richiesta assembliamo pompe tandem e triple

RACCORDI PER POMPE AD INGRANAGGI


RACCORDI IN ACCIAIO ZINCATO

Pompa	A	E	Viti	O-Rings	Codice	€
0.5	3/8"	26	M5x20	2056	RPA05-038	21,573
0.5	1/2"	26	M5x20	2056	RPA05-012	21,573
1	3/8"	30	M6x20	121	RPA1-038	20,899
1	1/2"	30	M6x20	121	RPA1-012	20,899
2	3/8"	4	M8x25	132	RPA2-038	27,984
2	1/2"	40	M8x25	132	RPA2-012	27,978
2	3/4"	40	M8x25	132	RPA2-034	27,978
3	3/4"	51	M10x30	4118	RPA3-034	45,843
3	1"	51	M10x30	4118	RPA3-100	45,843
3	3/4"	56	M10x30	4118	RPA3-034B	45,843
3	1"	56	M10x30	4118	RPA3-100B	45,843
3.5	1"	62	M10x30	4150	RPA35-100M10	72,809
3.5	1 1/4"	62	M10x30	4150	RPA35-114M10	72,809
3.5	1"	62	M12x35	4150	RPA35-100M12	72,809
3.5	1 1/4"	62	M12x35	4150	RPA35-114M12	72,809

RACCORDI IN ALLUMINIO

Pompa	A	E	Viti	O-Rings	Codice	€	
1	3/8"	30	M6x30	M6x45	121	RB038-30	18,371
1	1/2"	30	M6x30	M6x45	121	RB012-30	18,371
2	3/8"	35	M6x30	M6x45	3075	RB038-35	19,551
2	1/2"	35	M6x30	M6x45	3075	RB012-35	19,551
2	1/2"	40	M6x35	M6x55	130	RB012-40	29,663
2	3/4"	40	M6x35	M6x55	130	RB034-40	29,663
3	3/4"	55	M8x45	M8x60	4118	RB034-55	46,180
3	1"	55	M8x45	M8x60	4118	RB100-55	46,180